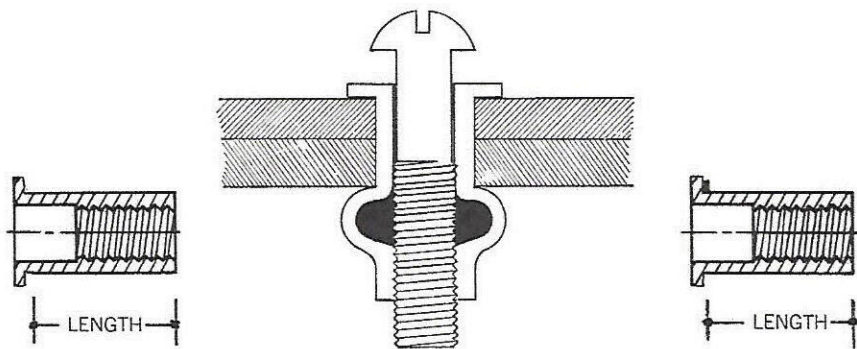
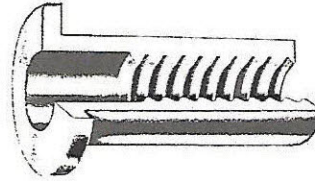


# RIVNUTS

## The one-piece blind rivet with threads

The Rivnut provides a better answer to many blind attachment problems. It overcomes the difficulty of installing brackets, handles or other attachments to tubular pieces. It serves as both a rivet and as a nut plate for attachment in any place where only one side of the work is available. And it can be installed in metal, plywood and plastics.

The Rivnut is a one-piece internally threaded and counterbored tubular rivet that can be pulled up or headed while working entirely from one side, forming a bulge or head on the blind side. This upset is large enough to resist being pulled through metal or plastic even under conditions of eccentric load. It is accurately machined from 53S-W aluminum alloy and anodized.



KEYLESS PART NO.			RIVNUT CROSS REFERENCE CHART				KEY TYPE PART NO.		
BFG #	NAS#	MS#	GRIP RANGE (INCHES)	LENGTH	THREAD	DRILL SIZE	BFG#	NAS#	MS#
A6-75	<b>NAS1329A06-75</b>	MS27130-A7	.010 to .075	.438	6-32	No. 13	A6K-75	<b>NAS1329A06K75</b>	MS27130-A7K
A6-120	<b>NAS1329A06-120</b>	MS27130-A8	.075 to .120	.500	6-32	No. 13	A6K-120	<b>NAS1329A06K120</b>	MS27130-A8K
A8-75	<b>NAS1329A08-75</b>	MS27130-A13	.010 to .075	.438	8-32	No. 2	A8K-75	<b>NAS1329A08K75</b>	MS27130-A13K
A8-120	<b>NAS1329A08-120</b>	MS27130-A14	.075 to .120	.500	8-32	No. 2	A8K-120	<b>NAS1329A08K120</b>	MS27130-A14K
A10-80	<b>NAS1329A3-80</b>	MS27130-A25	.010 to .80	.531	10-32	1/4"	A10K-80	<b>NAS1329A3K80</b>	MS27130-A25K
A10-130	<b>NAS1329A3-130</b>	MS27130-A26	.075 to .130	.594	10-32	1/4"	A10K-130	<b>NAS1329A3K130</b>	MS27130-A26K