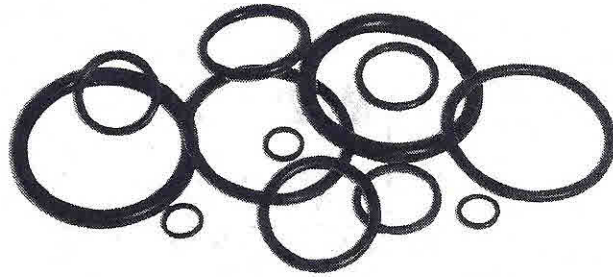
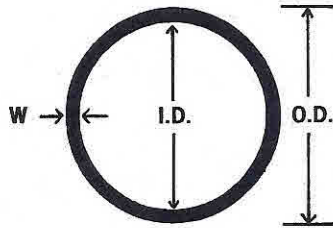


O-RINGS

**AN6227
AN6230B
MS28775**

The same compound is used for all three part numbers.
For use in aircraft hydraulic systems using MIL-H-5606
petroleum base hydraulic fluid at -65°F to +160°F.



I.D.	O.D.	W	AN6227 Meets MIL-P-5516	MS28775 Meets MIL-P-25732
1/8	1/4	1/16	AN6227 -1	MS28775-006
5/32	9/32	1/16	AN6227 -2	MS28775-007
3/16	5/16	1/16	AN6227 -3	MS28775-008
7/32	11/32	1/16	AN6227 -4	MS28775-009
1/4	3/8	1/16	AN6227 -5	MS28775-010
5/16	7/16	1/16	AN6227 -6	MS28775-011
3/8	1/2	1/16	AN6227 -7	MS28775-012
3/8	9/16	3/32	AN6227 -8	MS28775-110
7/16	5/8	3/32	AN6227 -9	MS28775-111
1/2	11/16	3/32	AN6227 -10	MS28775-112
9/16	3/4	3/32	AN6227 -11	MS28775-113
5/8	13/16	3/32	AN6227 -12	MS28775-114
11/16	7/8	3/32	AN6227 -13	MS28775-115
3/4	15/16	3/32	AN6227 -14	MS28775-116
3/4	1	1/8	AN6227 -15	MS28775-210
13/16	1-1/16	1/8	AN6227 -16	MS28775-211
7/8	1-1/8	1/8	AN6227 -17	MS28775-212
15/16	1-13/16	1/8	AN6227 -18	MS28775-213
1	1-1/4	1/8	AN6227 -19	MS28775-214
1-1/16	1-5/16	1/8	AN6227 -20	MS28775-215
1-1/8	1-3/8	1/8	AN6227 -21	MS28775-216
1-3/16	1-7/16	1/8	AN6227 -22	MS28775-217
1-1/4	1-1/2	1/8	AN6227 -23	MS28775-218
1-5/16	1-9/16	1/8	AN6227 -24	MS28775-219
1-3/8	1-5/8	1/8	AN6227 -25	MS28775-220
1-7/16	1-11/16	1/8	AN6227 -26	MS28775-221
1-1/2	1-3/4	1/8	AN6227 -27	MS28775-222
1-1/2	1-7/8	3/16	AN6227 -28	MS28775-325
1-5/8	2	3/16	AN6227 -29	MS28775-326
1-3/4	2-1/8	3/16	AN6227 -30	MS28775-327
1-7/8	2-1/4	3/16	AN6227 -31	MS28775-328
2	2-3/8	3/16	AN6227 -32	MS28775-329
2-1/8	2-1/2	3/16	AN6227 -33	MS28775-330
2-1/4	2-5/8	3/16	AN6227 -34	MS28775-331
2-3/8	2-3/4	3/16	AN6227 -35	MS28775-332
2-1/2	2-7/8	3/16	AN6227 -36	MS28775-333
2-5/8	3	3/16	AN6227 -37	MS28775-334
2-7/8	3-1/4	3/16	AN6227 -39	MS28775-336
3-1/8	3-1/2	3/16	AN6227 -41	MS28775-338
3-1/4	3-5/8	3/16	AN6227 -42	MS28775-339
3-3/8	3-3/4	3/16	AN6227 -43	MS28775-340
3-1/2	3-7/8	3/16	AN6227 -44	MS28775-341
3-5/8	4	3/16	AN6227 -45	MS28775-342
3-3/4	4-1/8	3/16	AN6227 -46	MS28775-343
3-7/8	4-1/4	3/16	AN6227 -47	MS28775-344
4	4-3/8	3/16	AN6227 -48	MS28775-345
4-1/8	4-1/2	3/16	AN6227 -49	MS28775-346
4-1/4	4-5/8	3/16	AN6227 -50	MS28775-347

I.D.	O.D.	W	AN6230B Meets MIL-P-5516B	MS28775 Meets MIL-P-25732
1-5/8	1-7/8	1/8	AN6230B-1	MS28775-223
1-3/4	2	1/8	AN6230B-2	MS28775-224
1-7/8	2-1/8	1/8	AN6230B-3	MS28775-225
2	2-1/4	1/8	AN6230B-4	MS28775-226
2-1/8	2-3/8	1/8	AN6230B-5	MS28775-227
2-1/4	2-1/2	1/8	AN6230B-6	MS28775-228
2-3/8	2-5/8	1/8	AN6230B-7	MS28775-229
2-1/2	2-3/4	1/8	AN6230B-8	MS28775-230
2-5/8	2-7/8	1/8	AN6230B-9	MS28775-231
2-3/4	3	1/8	AN6230B-10	MS28775-232
2-7/8	3-1/8	1/8	AN6230B-11	MS28775-233
3	3-1/4	1/8	AN6230B-12	MS28775-234
3-1/8	3-3/8	1/8	AN6230B-13	MS28775-235
3-1/4	3-1/2	1/8	AN6230B-14	MS28775-236
3-3/8	3-5/8	1/8	AN6230B-15	MS28775-237
3-1/2	3-3/4	1/8	AN6230B-16	MS28775-238
3-5/8	3-7/8	1/8	AN6230B-17	MS28775-239
3-3/4	4	1/8	AN6230B-18	MS28775-240
3-7/8	4-1/8	1/8	AN6230B-19	MS28775-241
4	4-1/4	1/8	AN6230B-20	MS28775-242
4-1/8	4-3/8	1/8	AN6230B-21	MS28775-243
4-1/4	4-1/2	1/8	AN6230B-22	MS28775-244
4-3/8	4-5/8	1/8	AN6230B-23	MS28775-245
4-1/2	4-3/4	1/8	AN6230B-24	MS28775-246
4-5/8	4-7/8	1/8	AN6230B-25	MS28775-247
4-3/4	5	1/8	AN6230B-26	MS28775-248
4-7/8	5-1/8	1/8	AN6230B-27	MS28775-249
5	5-1/4	1/8	AN6230B-28	MS28775-250
5-1/8	5-3/8	1/8	AN6230B-29	MS28775-251
5-1/4	5-1/2	1/8	AN6230B-30	MS28775-252
5-3/8	5-5/8	1/8	AN6230B-31	MS28775-253
5-1/2	5-3/4	1/8	AN6230B-32	MS28775-254
5-5/8	5-7/8	1/8	AN6230B-33	MS28775-255
5-3/4	6	1/8	AN6230B-34	MS28775-256
5-7/8	6-1/8	1/8	AN6230B-35	MS28775-257
6	6-1/4	1/8	AN6230B-36	MS28775-258
6-1/4	6-1/2	1/8	AN6230B-37	MS28775-259
6-1/2	6-3/4	1/8	AN6230B-38	MS28775-260
6-3/4	7	1/8	AN6230B-39	MS28775-261
7	7-1/4	1/8	AN6230B-40	MS28775-262
7-1/4	7-1/2	1/8	AN6230B-41	MS28775-263
7-1/2	7-3/4	1/8	AN6230B-42	MS28775-264
7-3/4	8	1/8	AN6230B-43	MS28775-265
8	8-1/4	1/8	AN6230B-44	MS28775-266
8-1/4	8-1/2	1/8	AN6230B-45	MS28775-267
8-1/2	8-3/4	1/8	AN6230B-46	MS28775-268
8-3/4	9	1/8	AN6230B-47	MS28775-269
9	9-1/4	1/8	AN6230B-48	MS28775-270
9-1/4	9-1/2	1/8	AN6230B-49	MS28775-271
9-1/2	9-3/4	1/8	AN6230B-50	MS28775-272

O-RINGS (cont'd)

O-RINGS FUEL RESISTANT

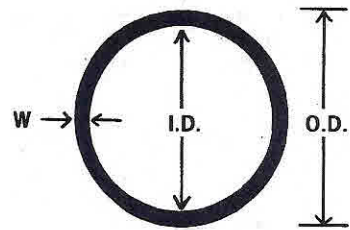
MS29513 For use with hydrocarbon fuels MIL-F-5572, MIL-F-5616 and MIL-F-5624 at temperatures from -65°F to +200°F.

MS29513 DASH NO.	I.D. (Inches)	O.D. (Inches)	W (Inches)
-006	.114	.254	.070
-008	.176	.316	.070
-010	.239	.379	.070
-011	.301	.441	.070
-012	.364	.504	.070
-013	.426	.566	.070
-014	.489	.629	.070
-015	.551	.691	.070
-018	.739	.879	.070
-020	.864	1.004	.070
-111	.424	.630	.103
-138	2.112	2.318	.103
-155	3.987	4.193	.103
-232	2.734	3.012	.139
-238	3.484	3.762	.139
-338	3.100	3.520	.210

MS29512

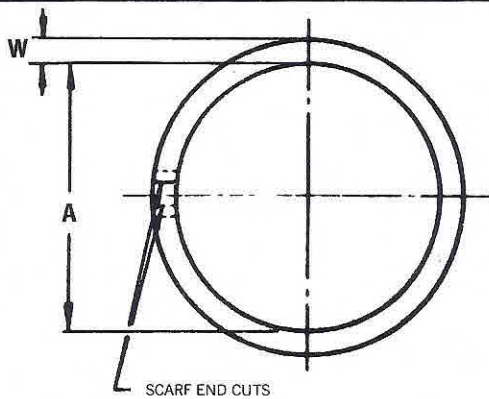
For use with aircraft fuel JP-4, JP-5 at at temperatures -65° to +200°F. Conforms to MIL-P-5315.

MS29512 DASH NO.	TUBE O.D. Nominal	I.D. (Inches)	W (Inches)
-2	1/8	.239	.064
-3	3/16	.301	.064
-4	1/4	.351	.072
-5	5/16	.414	.072
-6	3/8	.468	.078
-8	1/2	.644	.087
-10	5/8	.755	.097
-16	1	1.047	.116
-20	1-1/4	1.475	.118
-24	1-1/2	1.720	.118
-28	1-3/4	2.090	.118



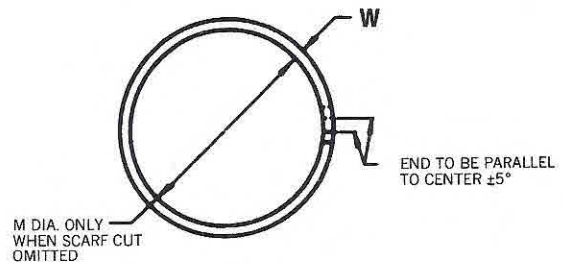
TUBE FITTING/BOSS GASKET/ O-RING MS28778 Supersedes AN6290

MS28778 DASH NO.	Old AN6290 DASH NO.	TUBE O.D. Nominal	I.D. (Inches)	W (Inches)
-2	-2	1/8"	.239	.064
-3	-3	3/16"	.301	.064
-4	-4	1/4"	.351	.072
-5	-5	5/16"	.414	.072
-6	-6	3/8"	.468	.078
-8	-8	1/2"	.644	.087
-10	-10	5/8"	.755	.097
-12	-12	3/4"	.924	.116

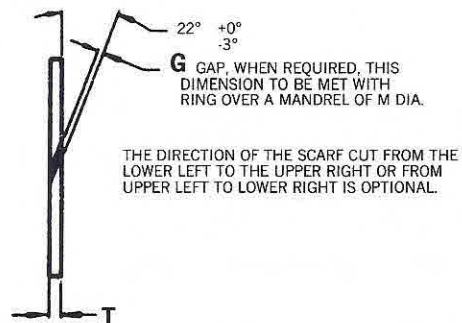
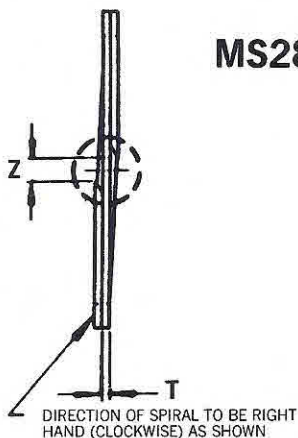


TEFLON RETAINER, PACKING BACKUP RINGS

MS28774



MS28782



DASH NO.	A NOM ID	T		W		Z	
		MAX.	MIN.	MAX.	MIN.	MAX.	MIN.
-18	1.938						
-19	1.000						
-21	1.125	.029	.025	.122	.120	.093	.047
-22	1.188						
-27	1.500						
-29	1.625	.036	.031	.186	.184	.188	.062

DASH NO.	INSIDE DIA.	T	Width	G
114	.640		.087 .085	
210	.766			
212	.891	.001	.052	.006
213	.953		.045	.000
216	1.141			
327	1.750		.068	.186
330				